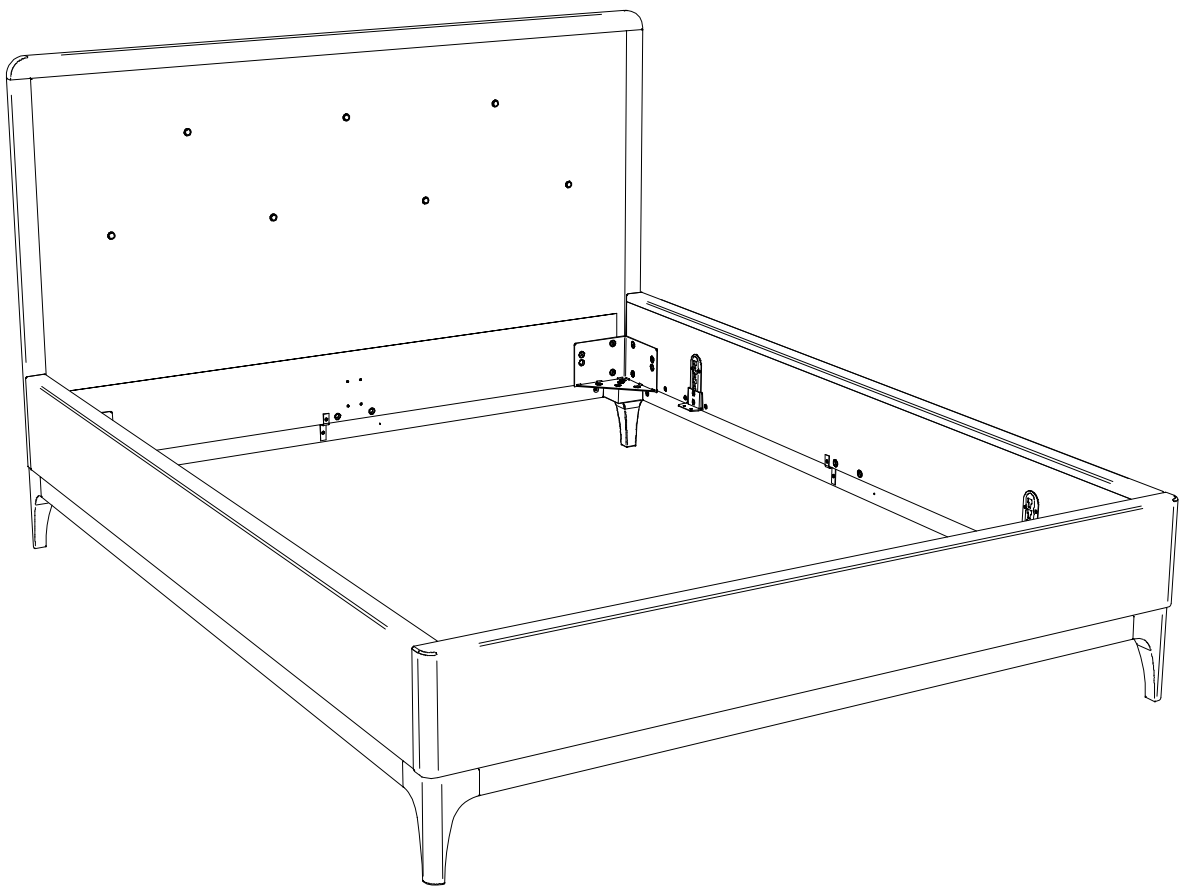
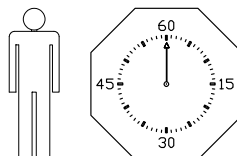
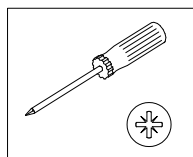

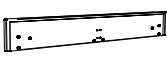
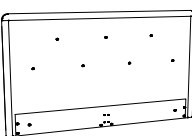
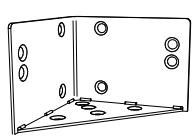
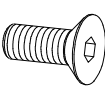
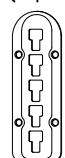
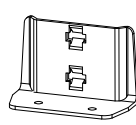
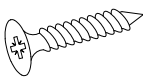
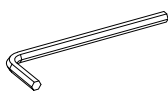
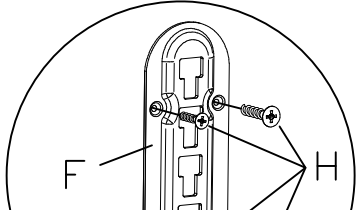


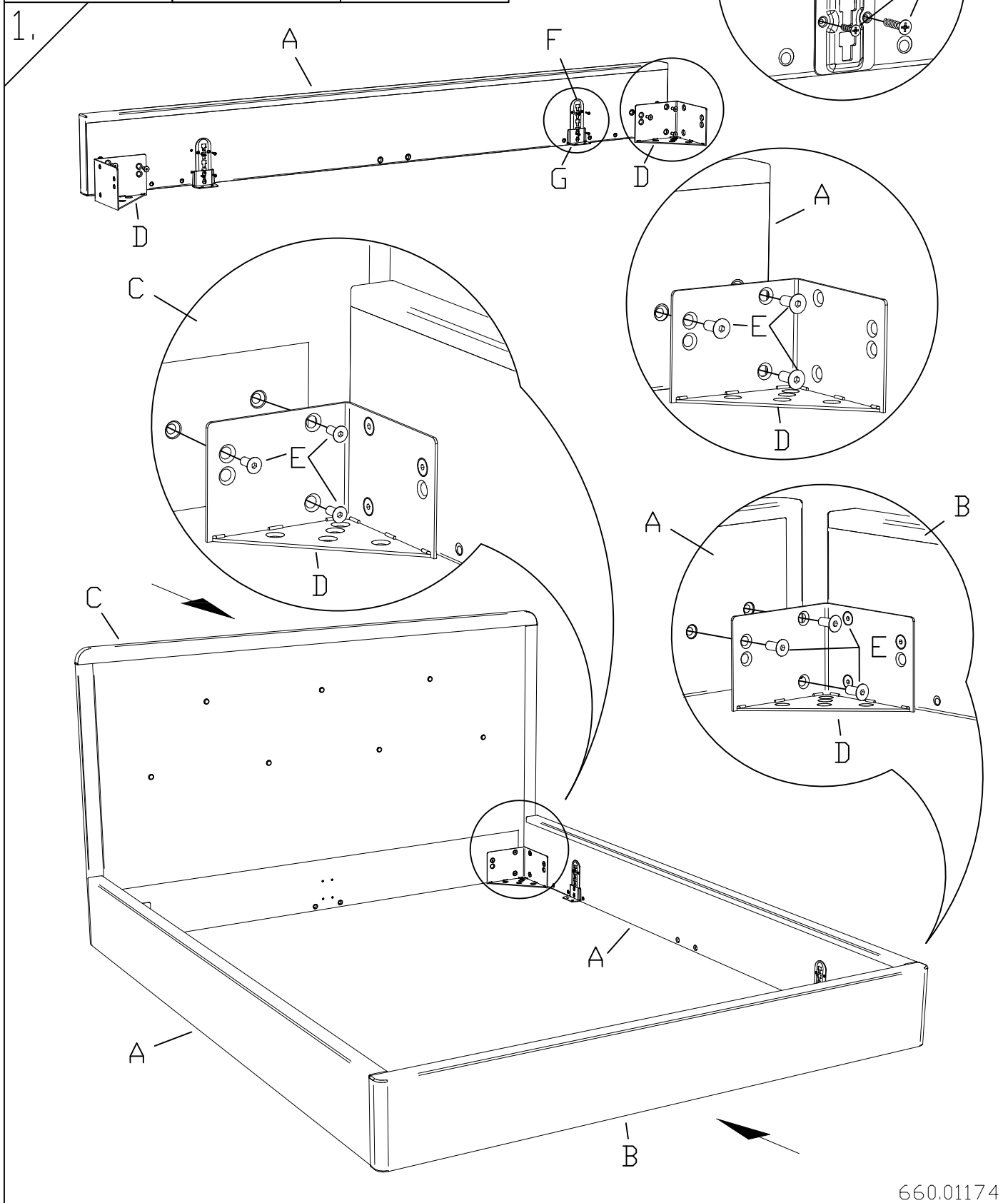
# Silento



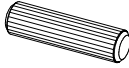
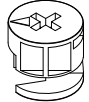

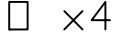
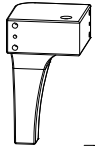


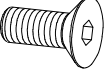



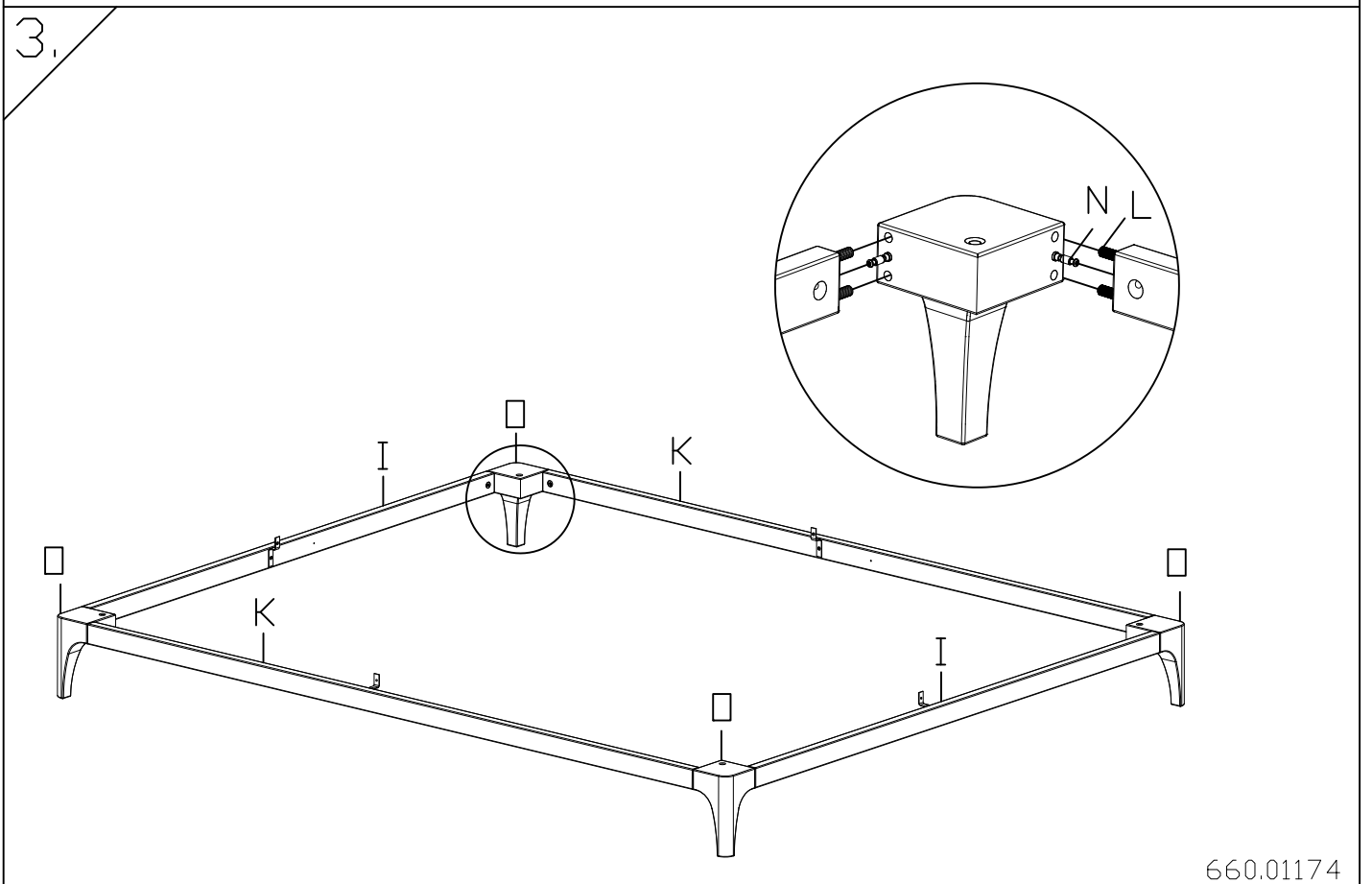
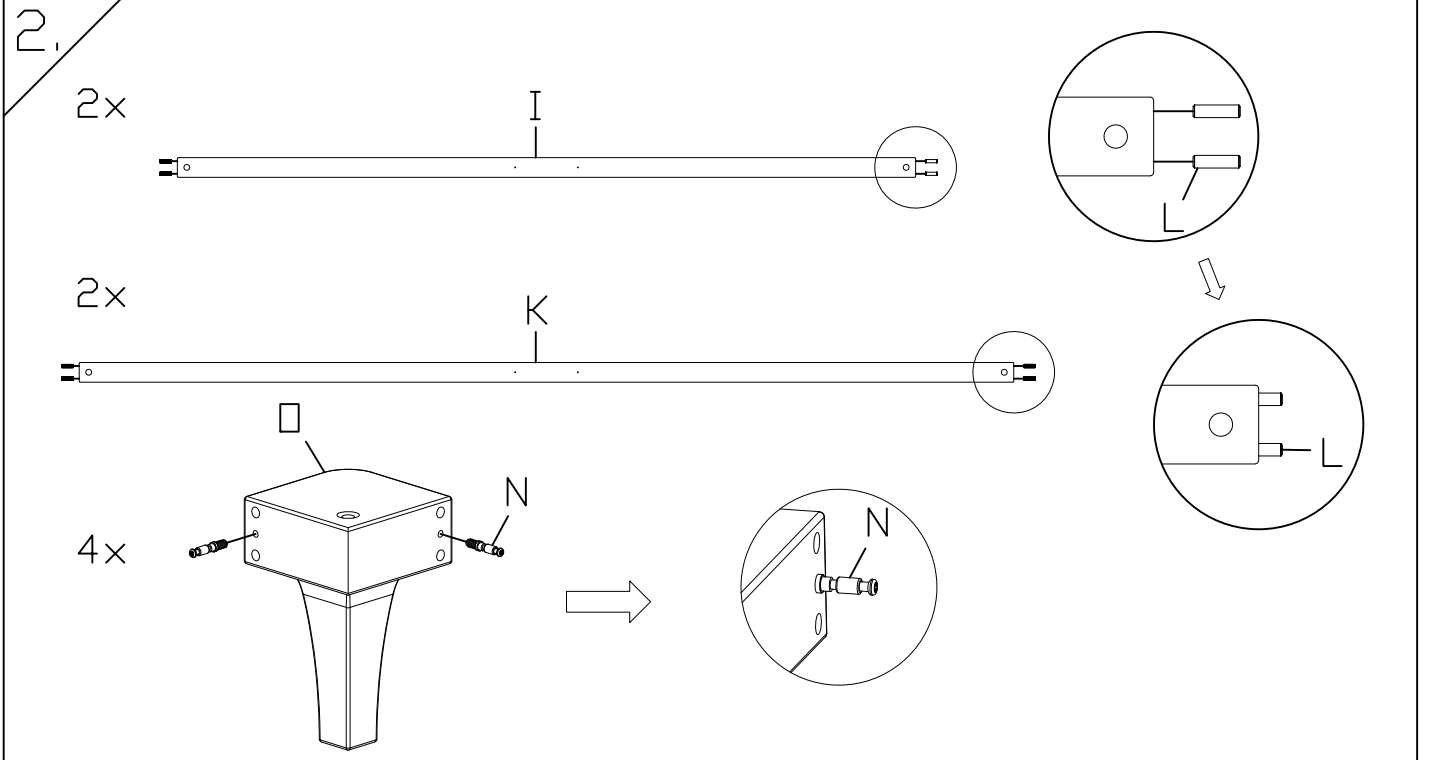
Benötigte Werkzeuge – Outils Nécessaires – Tools Required – Attrezzi Necessari



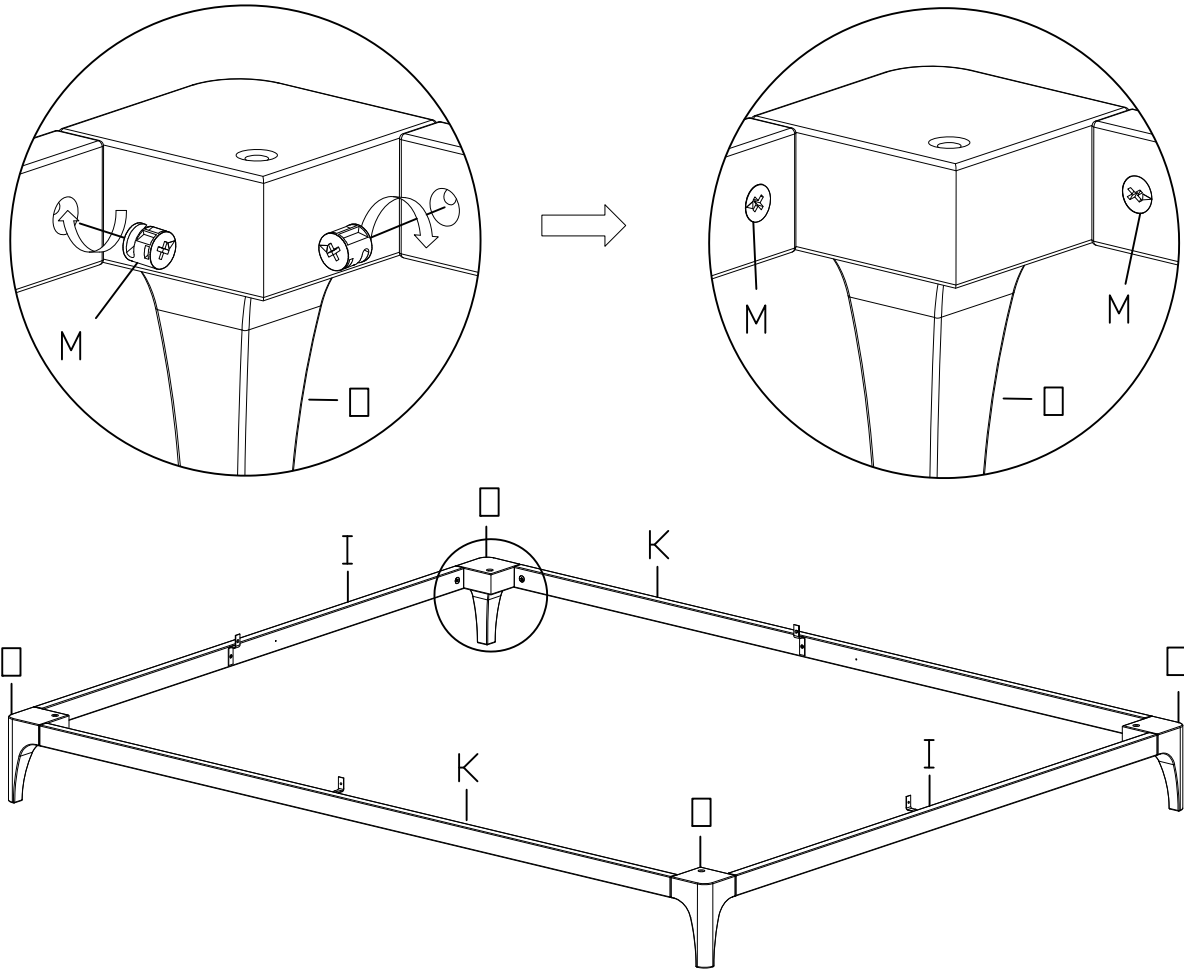
<p>A x2</p> 	<p>B x1</p> 	<p>C x1</p> 	<p>D x4</p>  <p>630.10142</p>	<p>E x24 M8x20</p>  <p>631.872</p>	<p>F x4</p>  <p>630.141</p>
<p>G x4</p>  <p>630.142</p>	<p>H x16</p>  <p>631.303</p>	<p>Z x1</p>  <p>631.10000</p>			



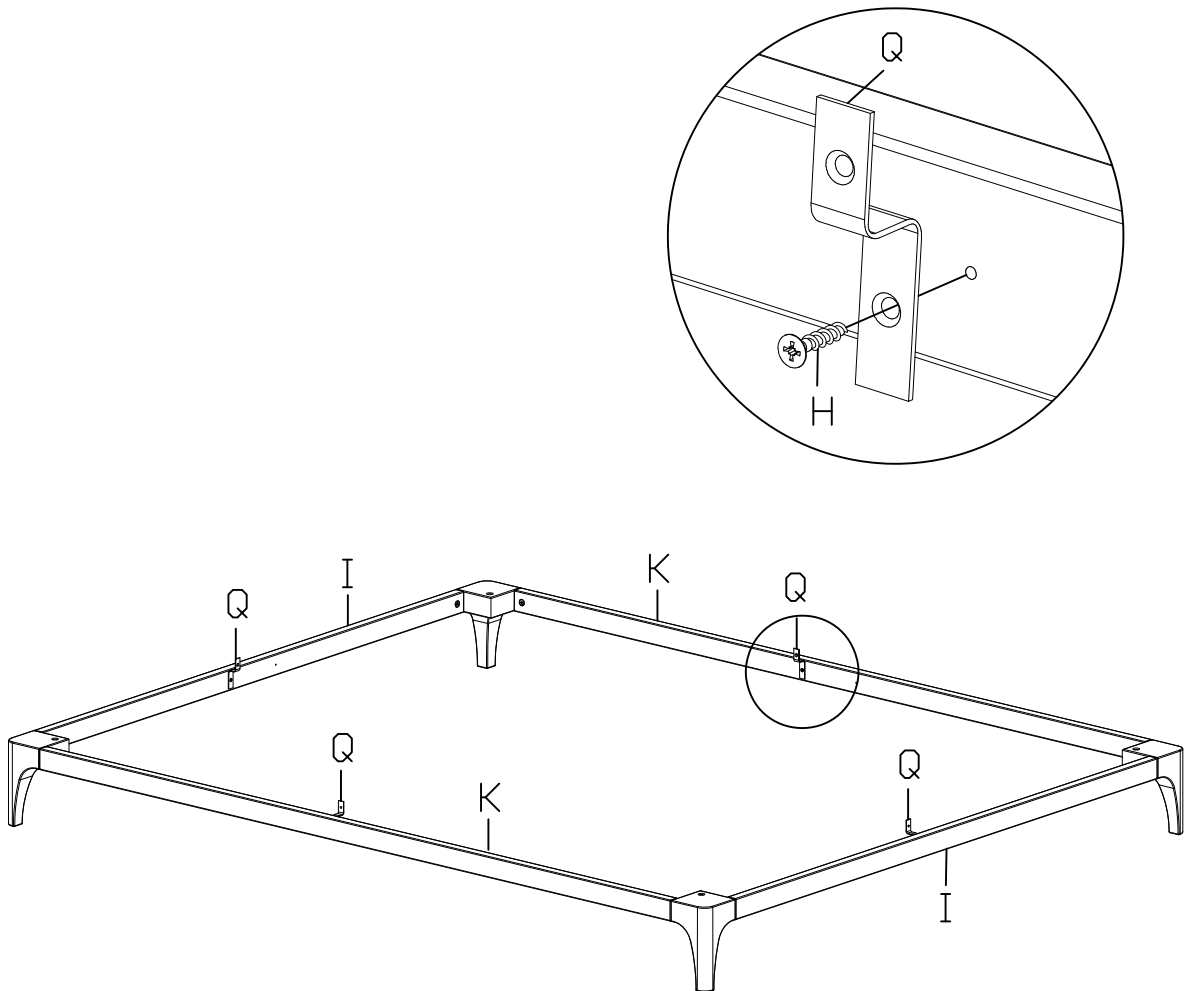
I x2 	K x2  749.762	L x16  630.02200	M x8  631.00005	N x8  631.04200	 x4  749.767
H x8  631.30100	Q x4  790.20842	E x4 M8x20  631.872	Z x1  631.10000		



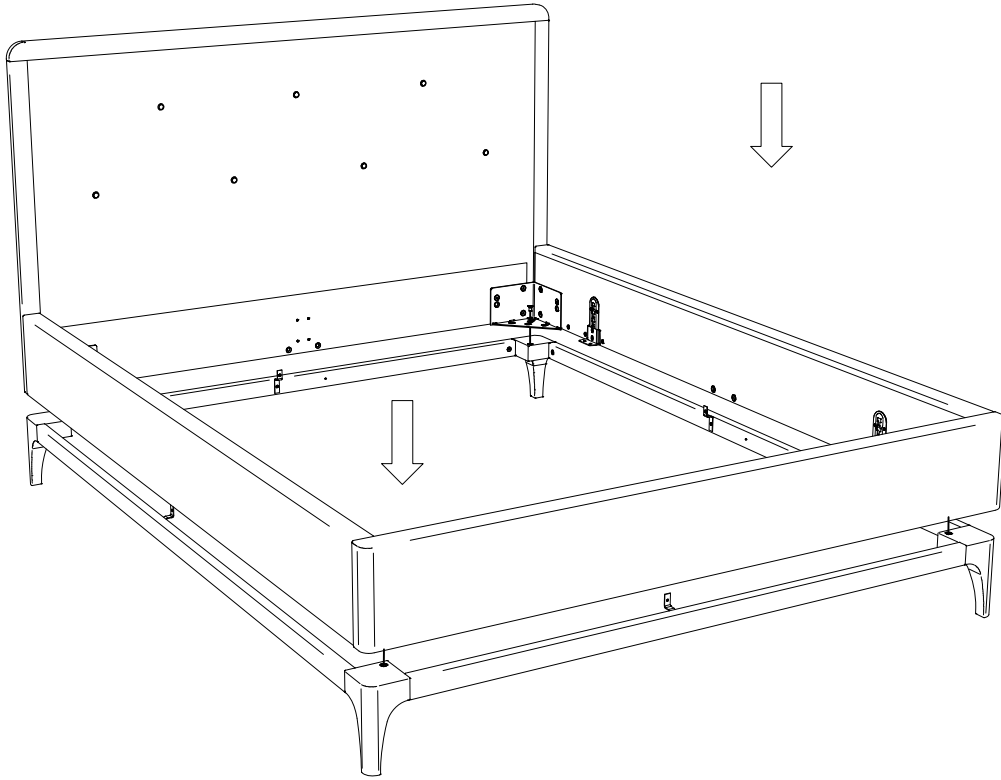
4.



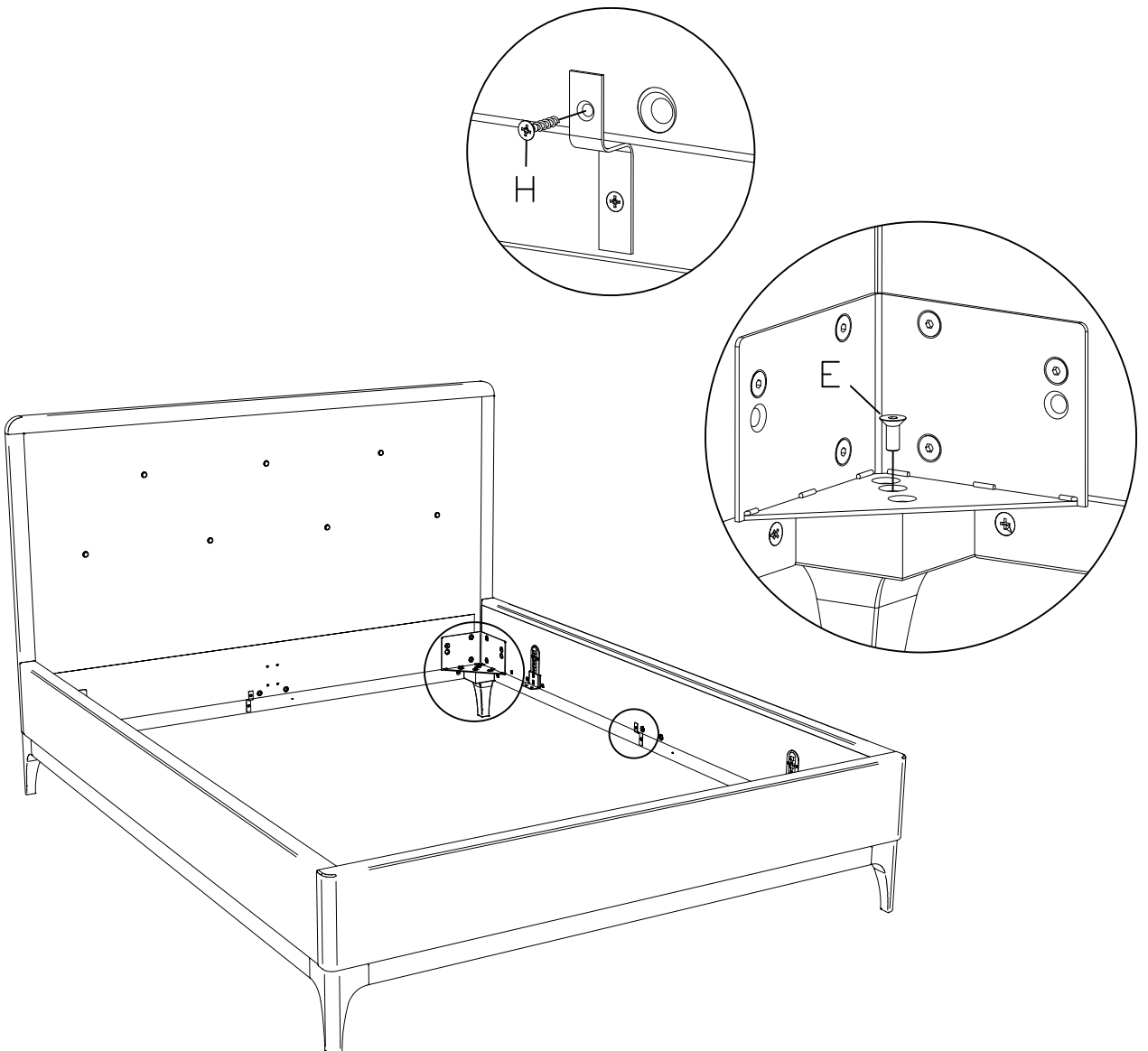
5.



6.

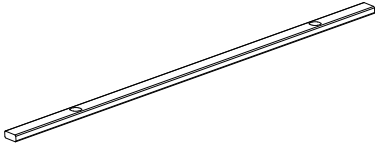


7.

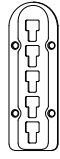


bei Breiten ab 160cm  
for widths from 160cm  
à partir des dimensions 160cm  
della misura 160cm

R x1

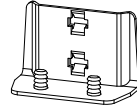


F x2



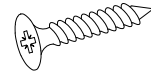
630.141

S x2



630.143

H x8



631.303

U x4



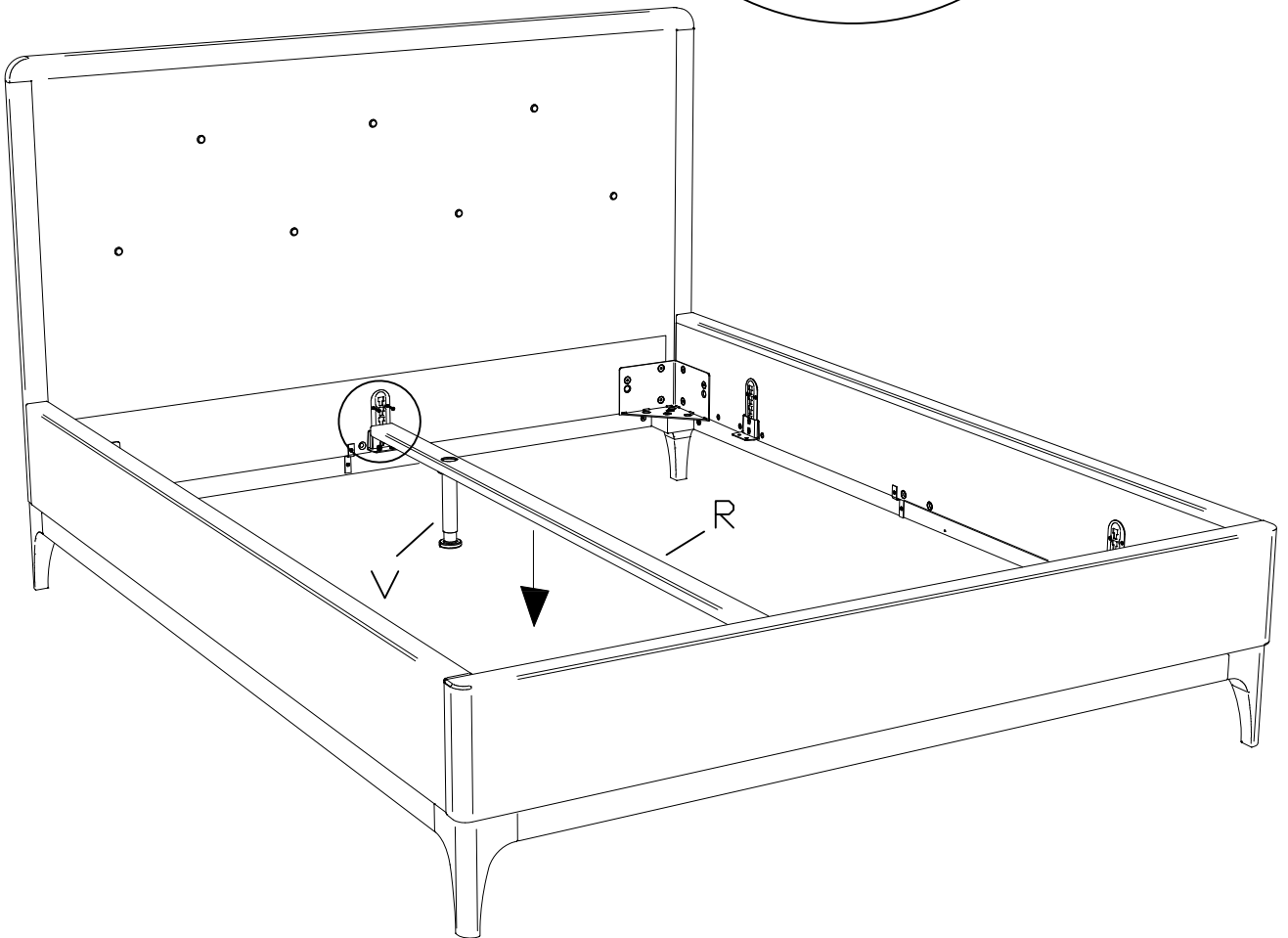
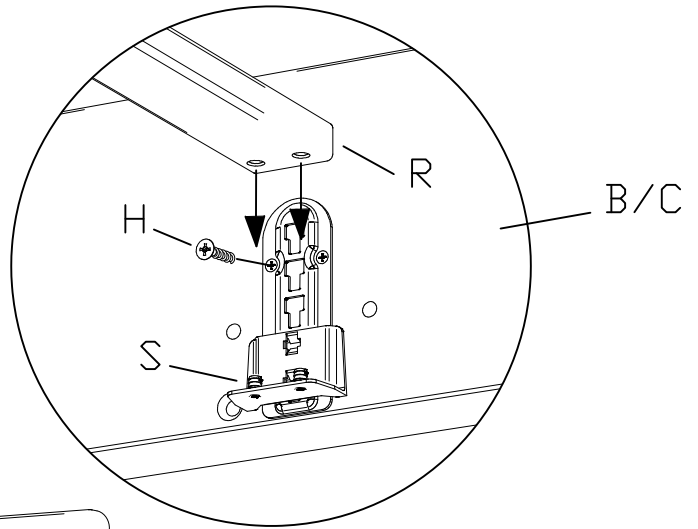
630.177

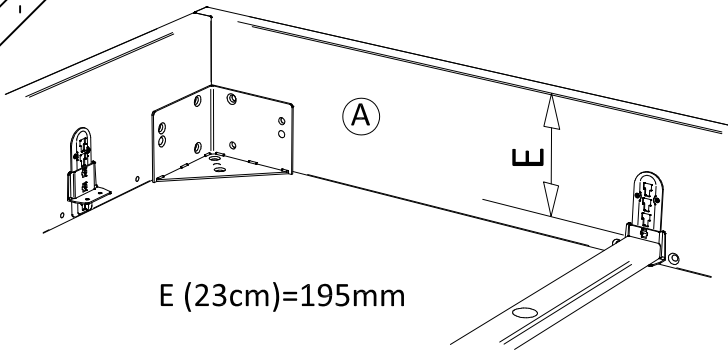
V x2



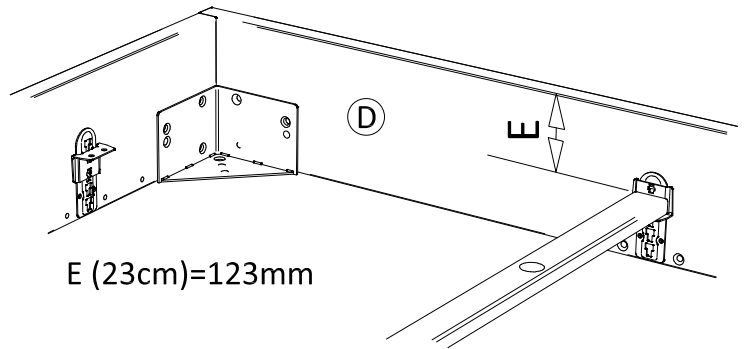
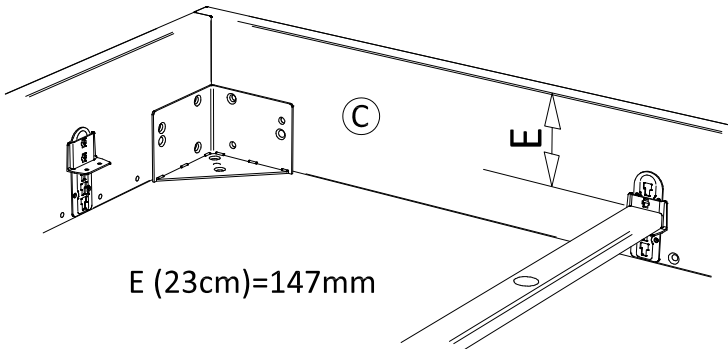
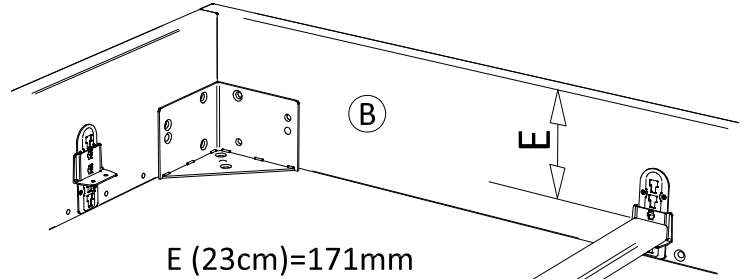
630.185

8,



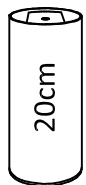


E = Einlegetiefe  
 E = hauteur encastrable  
 E = insertion depth  
 E = altezza incasso

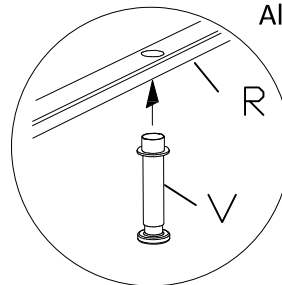


Bettfusshöhe  
 Height of feet for bed  
 Hauteur des pieds de lit  
 Altezza piede

Mittelfusshöhe  
 Height of middle feet  
 Hauteur des pieds médians  
 Altezza piede centrale



A / B



C / D

