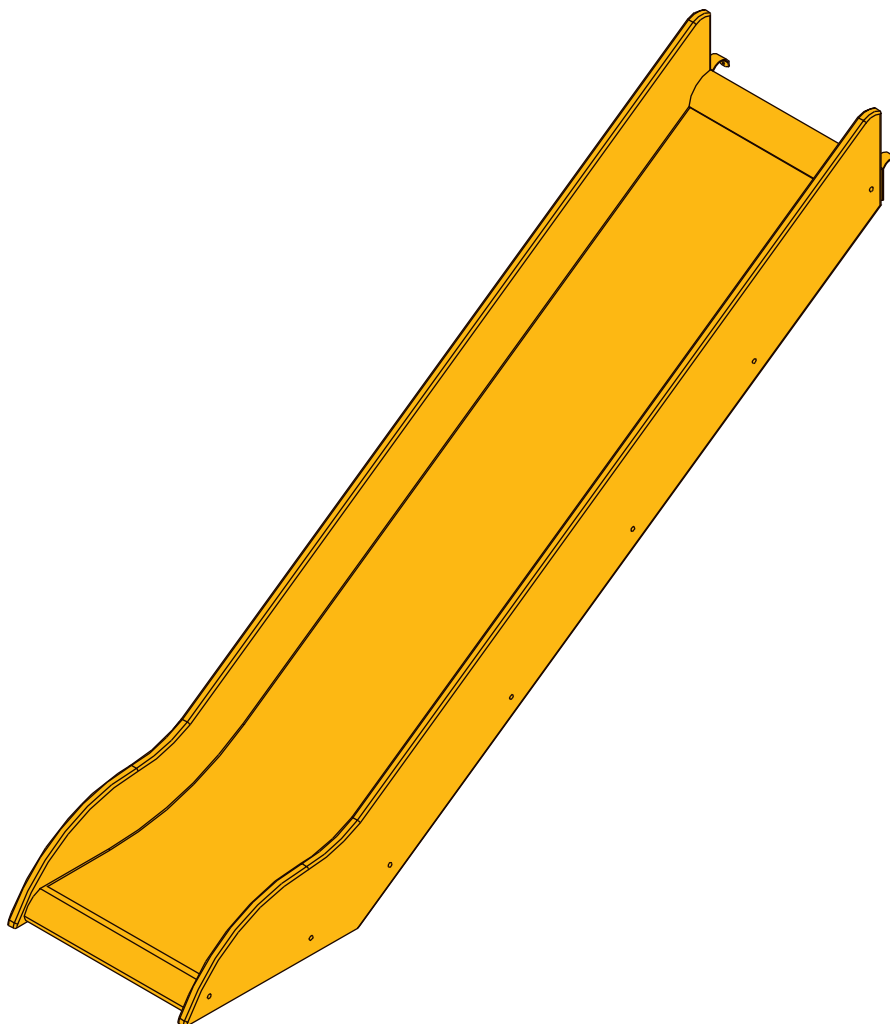


FLEXA®

82-40004-1/-2/-11

98 x 39 x 147cm



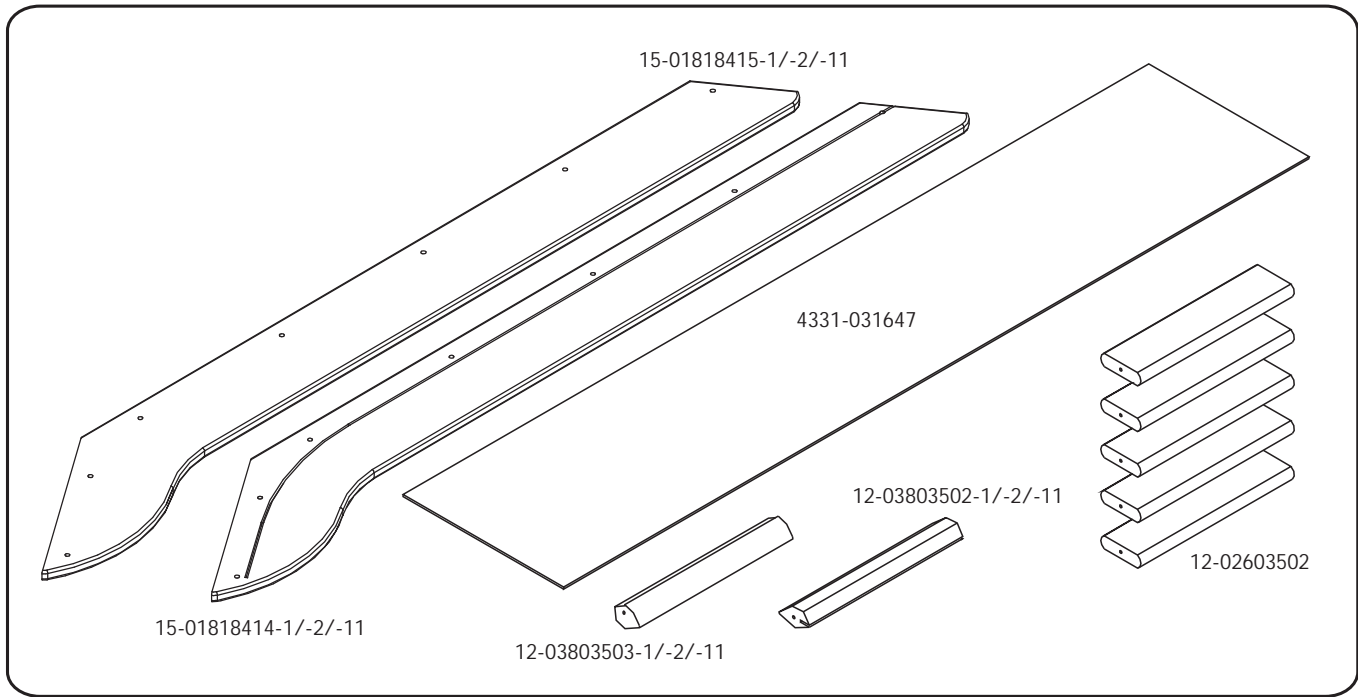
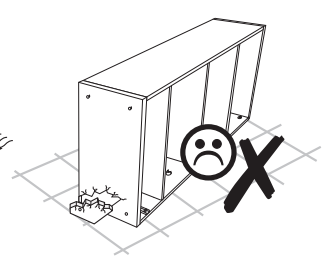
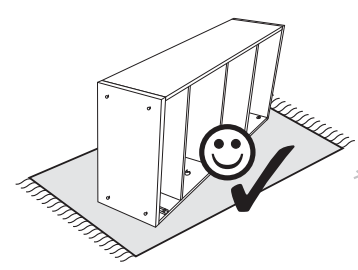
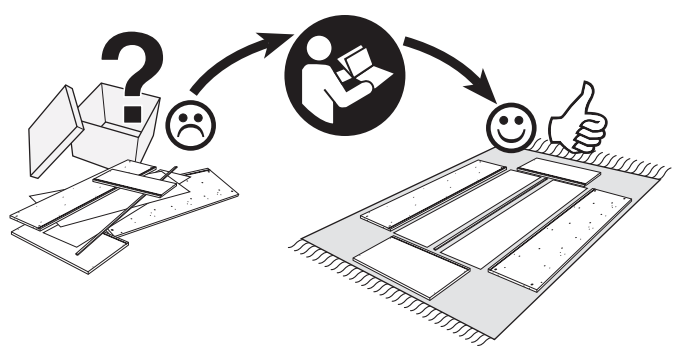
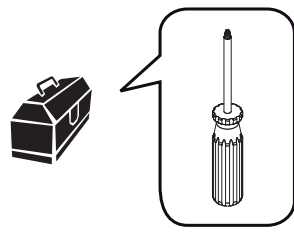
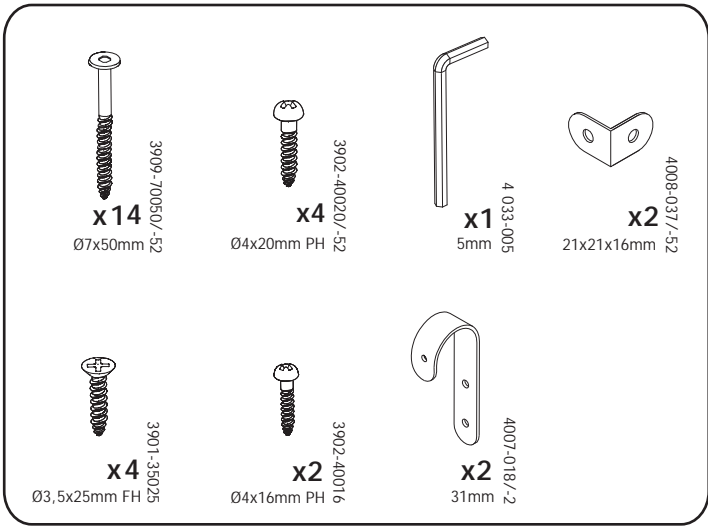
Scan for
assembly video

Or see the video at
www.flexaworld.com

Monterings- og brugsvejledning
Assembly instructions and direction for use
Montageanleitung und Gebrauchsanweisung
Notice de montage et mode d'emploi
Montageinstructie en onderhouds voorschrift
Instrucciones de montaje y uso
Istruzioni di montaggio e uso
Kokoamis- ja käyttöohjeet
Οδηγίες συναρμολόγησης και χρήσης

Instrukcje montażu i wskazówki dotyczące użytkowania
Instruções de montagem e de utilização
Instrucțiuni de asamblare și recomandări de utilizare.
Инструкции по сборке и руководство использования
安裝及使用说明
組立および使用説明
รายละเอียดเกี่ยวกับวิธีการใช้
และการติดตั้ง
설치 및 취급설명

For indoor
domestic use

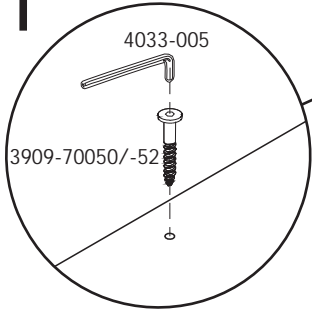


15-01818414-1/-2/-11

15-01818415-1/-2/-11

12-02603502

1



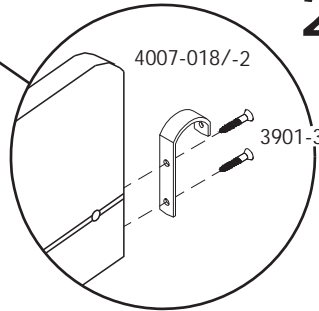
12-03803502-1/-2/-11

12-03803503-1/-2/-11

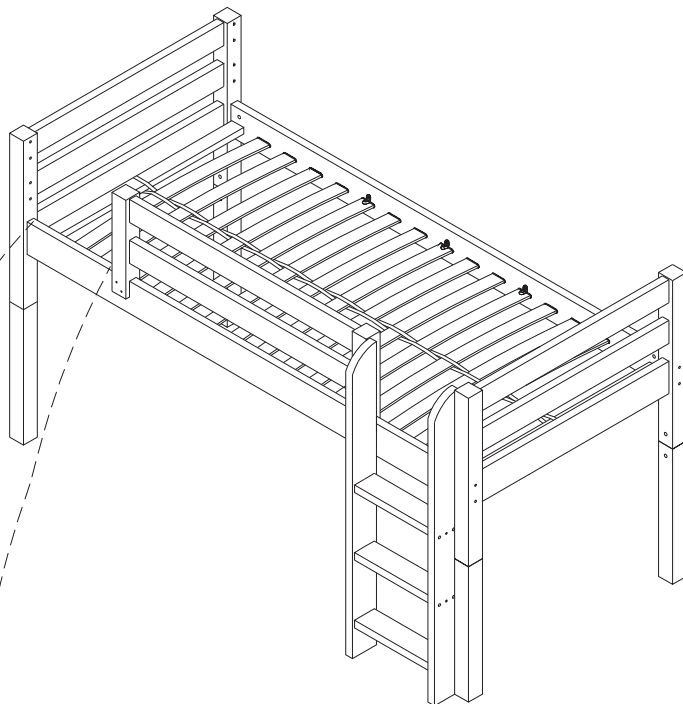
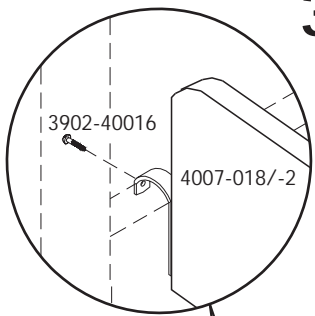
12-03803502-1/-2/-11

4331-031647

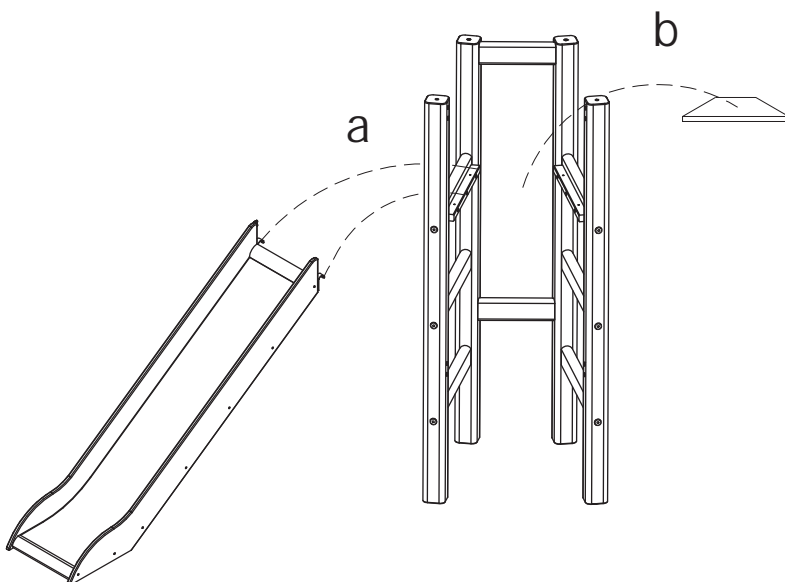
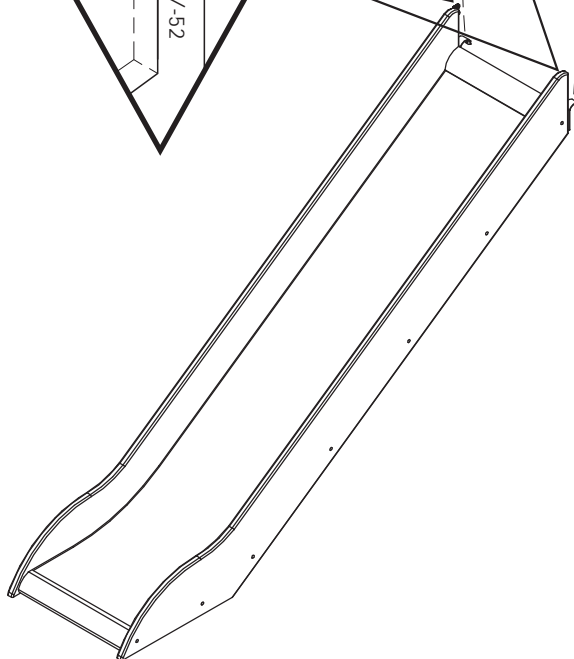
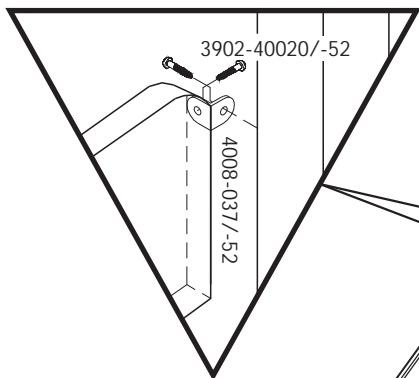
2

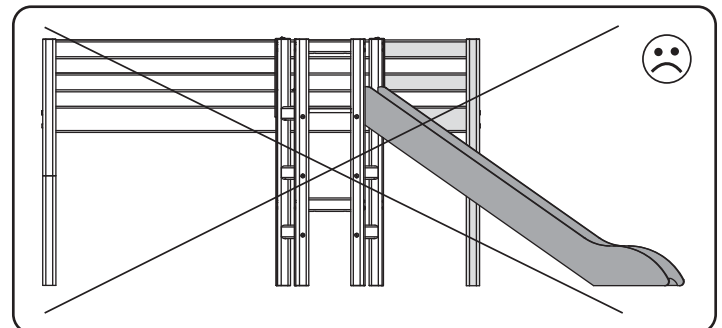
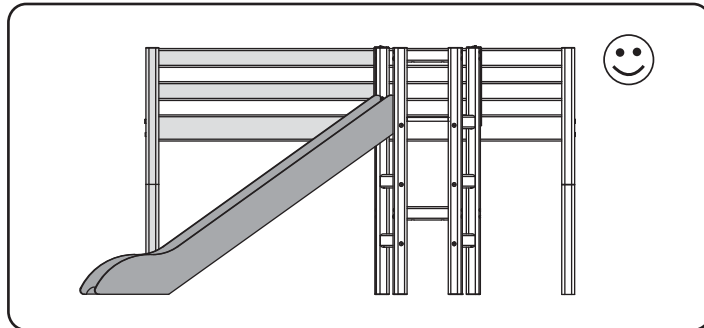
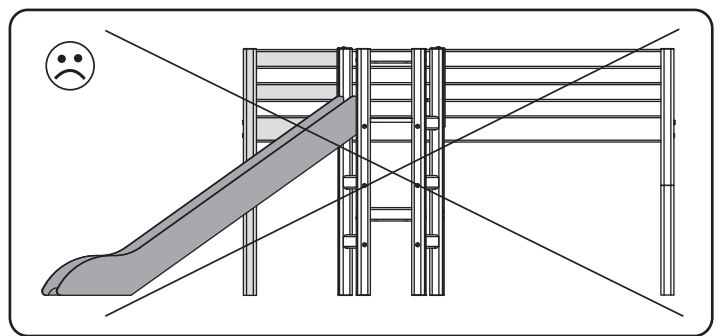
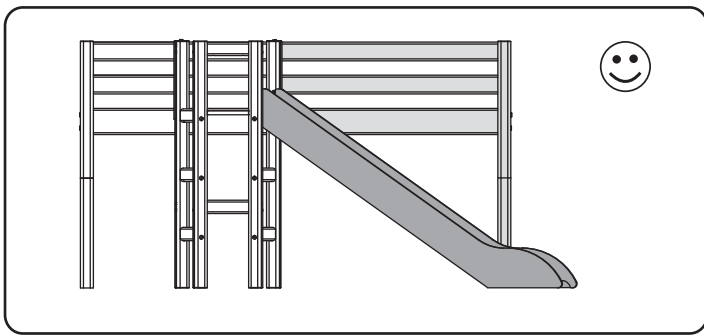


3



4 !





DK

- Efter samling, instruer da børn i hvordan seng og rutschebane bruges sikkert.
 - Vær opmærksom på faren for, at unge børn (under 6) kan falde ned af rutschebanen**
 - For at undgå at hænge fast ved benyttelse af rutschebanen, sørg for at tøj er fri for løse genstande som snører, bånd etc.
 - Check jævnligt, og efterspænd beslag hvis nødvendigt.
 - Efterlad ikke genstande rundt om rutschebanen. Ved enden af rutschebanen skal der være mindst 1 meter fri plads.
 - Det anbefales, at børn under 3 år kun benytter rutschebanen under opsyn af voksne.
- RÅD OM VEDLIGEHOLDELSE: Tør af med en fugtig klud. Evt. større pletter fjernes med en fugtig svamp med sæbe. Undgå opløsningsmidler.

GB

- After assembly, instruct children how to use the bed safely.
 - Be aware of the danger of young children (under 6) falling from the slide.**
 - To avoid snagging, ensure that clothing is free of loose items as laces, tapes etc.
 - Regularly check and, if necessary, tighten all fittings.
 - Be careful not to leave any obstacles around the slide. Around the end of the slide you should have a free space of 1 meter.
 - It is recommended that children under 3 years of age are under supervision by adults when using the slide.
- MAINTENANCE INSTRUCTIONS: Cleaning with a wet cloth, use a sponge with soap to remove obstinate dirt. Avoid solvents and dilutions.

DE

- Bei Neuauftstellung Kindern Hilfestellung bieten.
 - Achten Sie bei der Benutzung der Rutsche durch Kleinkinder (unter 6 Jahren) auf der Gefahr des Herunterfallens!**
 - Darauf achten, dass Kinder, Kleidung ohne Schnüre oder Bänder tragen.
 - Gerät regelmäßig inspizieren: Schraubverbindungen g.g.f. nachziehen.
 - Achten Sie darauf, daß es um die Rutsche herum keine Hindernisse gibt. Am Ende der Rutsche sollte man einen Freiraum von 1 Meter haben.
 - Es wird empfohlen dass Kinder unter 3 Jahren die Rutsche unter Aufsicht von Erwachsenen.
- PFLEGEHINWEIS: Pflege mit einem feuchten Lappen. Für hartnäckigen Schmutz empfehlen wir einen Schwamm mit Seife. Vermeiden ermeiden Verdünnungsmittel.

FR

- Après assemblage, expliquez à l'enfant comment utiliser le lit.
 - Soyez conscient du danger pour les jeunes enfants (moins de 6 ans), qui peuvent tomber du toboggan.**
 - Évitez que les vêtements de l'enfant ne comportent de lacet ou de ruban.
 - Verifiez régulièrement les fixations et si nécessaire reserrez.
 - Faites attention à ne pas laisser d'obstacles autour du toboggan. A la sortie inférieure du toboggan, il est conseillé d'avoir un espace libre d'au moins 1 mètre.
 - Il est recommandé de laisser les enfants de moins de 3 ans utiliser le toboggan sous surveillance d'un adulte.
- CONSEILS D'ENTRETIEN: Entretenir avec un chiffon humide pour la poussière - les tâches rebelles s'enlèvent avec une éponge légèrement savonneuse. Éviter tous solvants et diluants.

IT

- Dopo aver montato il letto spiegare al bambino come utilizzare il letto.
 - Dovete essere consapevoli del pericolo per i bambini piccoli (sotto i 6 anni) che possono cadere dallo scivolo.**
 - Evitate che i vestiti del bambino abbia lacci e nastri.
 - Verificare regolarmente il fissaggio del letto ed eventualmente stringete ulteriormente le vite.
 - State attenti a non lasciare ostacoli intorno allo scivolo. All'uscita inferiore dallo scivolo è consigliato avere almeno 1 metro di spazio libero.
 - Si consiglia, che bambini al di sotto dei tre anni siano sotto sorveglianza degli adulti quando utilizzano lo scivolo.
- CONSIGLI PER LA MANUTENZIONE: Pulire con un panno umido, usare una spugna impregnata di sapone per togliere lo sporco persistente. Evitare l'uso di prodotti chimici.

ES

- Después de montar el producto, enseñe a los niños cómo utilizar la cama de una manera segura.
 - Sea consciente del peligro de los niños pequeños (menores de 6 años) que caen del plano inclinado.**
 - Para evitar enganches, asegúrese que la ropa no tenga elementos sueltos como lazos, cintas, etc.
 - Revise regularmente los tornillos, y si es necesario, ajústelos.
 - Tenga cuidado de no dejar obstáculos alrededor del plano inclinado. Hacia all final del plano inclinado debe tener un espacio libre de 1 metro.
 - Se recomienda, que niños menores de 3 años usen el tobogán bajo supervisión de un adulto.
- CONSEJO PARA LA CONSERVACIÓN Limpiar con un paño húmedo. Para quitar manchas mas grandes usar productos químicos.

NL

- Na montage; instrueer kinderen hoe ze het bed veilig kunnen gebruiken.
 - Let op het gevaar bij jonge kinderen (onder de 6 jaar) die van de glijbaan kunnen vallen.**
 - Om vasthaken te voorkomen ervoor zorgen dat kleding vrij is van loshangende items zoals veters en bandjes.
 - Schroeven en moeren regelmatig controleren en eventueel aandraaien.
 - Waarschuwing; zet geen voorwerpen in de buurt van de glijbaan. Rondom het einde van de glijbaan moet een vrije ruimte van een meter zijn.
 - Het is aan te bevelen dat kinderen onder de 3 jaar de glijbaan gebruiken onder toezicht van een volwassene.
- ONDERHOUD: Reinigen met een vochtige doek. Hardnekkig vuil verwijderen met een spons en zeep. Vermijd oplossen verdunningsmiddelen.

Product Declaration

Product: Children's furniture

Product No: Please refer to the label or the Assembly and User Instruction. The product code refers to the type, length and color of the product. As an example the item number 80-01101-1, a basic bed, 80-01101 - 190cm long, 80-01101-1-clear lacquered. 80-01102-2, a basic bed, 80-01102- 200cm long, 80-01102-2 · white lacquered.

Technical character and size: Please refer to the Assembly and User Instruction.

Main material: Northern European Pinewood, harvested above the 60th latitude

Lacquer: Water soluble UV lacquer complying with the EN standard

Glue: Glue complying with the EN standard

Metal parts: Coating complying with the EN71 standard, part 3

Production date: Please refer to the label on the outer package.

Furniture products from FLEXA® are tested according to relevant European and American safety standards, e. g. EN, CE, GS, and CFR. Furthermore, FLEXA's products are test by the China National Quality Supervision Center for Furniture and complying with the GB28007-2011 children furniture standard in China and other relevant standards. Also, we comply with the EN717 concern the formaldehyde release.

Assembly and spare parts: Please refer to the Assembly and User Instruction.

Maintenance: Please refer to the Assembly and User Instruction.



Safety tested FLEXA furniture is made for children. We have carefully checked every single detail so you can safely set up your child's bedroom. For example, there are no sharp edges or corners on FLEXA furniture- they are all rounded. All beds with a sleeping height of more than 80 cm are safety tested according to the EU standard EN:747 by TUV.



5-year guarantee FLEXA's aim is always to deliver the highest quality and safety. That is why we provide a 5-year guarantee against manufacturing defects on all our furniture. The guarantee does not cover damage to the lacquer surface caused by knocks or wear and tear.



5-year availability guarantee on our bed system When you purchase a bed from the FLEXA Classic bed system, you buy a flexible system than can be altered and extended as and when the need arises. We offer a 5-year availability guarantee on the current FLEXA Classic bed system. If a product is no longer in our product range, the 5 year-availability guarantee still applies from the date the product is discontinued. We will notify your dealer.



Quality materials FLEXA insists on the highest quality and sustainability as a standard when we make furniture. For example, we only use the highest quality pine from sustainable forests in Scandinavian. We are thereby ensuring that only the very best material is used for our furniture.



Lacquer FLEXA furniture is surface treated with lacquer several times to give our furniture an optimal and elegant finish. At the same time it makes our furniture robust and more resistant to signs of wear and tear. FLEXA is only using eco-friendly water-based lacquer and UV lacquer, which meets the EU standard for lacquer.



Colour differences Many FLEXA furniture is made of solid wood or part of it is in solid wood and natural differences in colour may appear between individual products. This is only natural since wood is a living product. All FLEXA textiles are 100% natural products. Natural differences in colour may occur.

Children's furniture from the Danish company, FLEXA, is designed by FLEXA according to Scandinavian design traditions. The wood furniture are manufactured by FLEXA in Europe and sold worldwide.

FLEXA® and the FLEXA® logo are trademarks of Flexa4Dreams Holding A/S.

For 7 years old or above.
Only for adult to assemble.

Manufacturer: FLEXA4Dreams Holding A/S, Denmark
Address: Hornsyld Industrivej 4, 8783 Hornsyld, Denmark
Tel: +45 7668 8055 Fax: +45 7668 8069
Email: flexa@flexa.dk
Website: www.flexaworld.dk

产品说明书

产 品: 儿童家具
产 品 编 号: 参见标签或包装内的安装及使用说明。产品编号代表产品的类型、长度和颜色。例如:80-01101-1, 为基本床, 80-01101-190cm, 80-01101-1-本色。80-01102-1, 为基本床。80-01102-200cm, 80-01102-2-白色。

技术特征和尺寸: 见安装及使用说明。

主 料: 北纬60度以上的北欧松木。

油 漆: 水溶性UV漆, 符合EN标准。

胶 水: 胶水符合欧洲质量标准。

金 属 配 件: 镀层符合欧洲玩具安全标准EN71, 第三部分。

芙莱莎集团出品的家具经过欧洲和美国最严格的安全测试, 符合EN, CE, GS, CFR 标准, 芙莱莎的产品经过国家家具质量监督检验中心的检测, 符合儿童家具通用技术条件GB28007-2011——目前国内唯一的儿童家具国家强制标准和其他相关国家标准。同时我们符合欧洲标准EN717中针对甲醛释放的要求。

安 装 及 配 送: 见安装及使用说明。

日 常 维 护 保 养: 见安装及使用说明。



安全保证 芙莱莎专为儿童制造, 我们专注于每一个细节, 以确保您可以安心布置儿童房, 例如, 芙莱莎儿童家具全无尖锐的边和角, 所有边角都作磨圆处理; 所有高度超过80厘米的床都要经过德国莱茵的高层床检测标准EN:747



五年质保 芙莱莎的目标是提供始终如一的高品质和安全性, 因此芙莱莎推出5年质保服务, 但仅针对家具生产制造过程中造成的缺陷, 不针对漆面的损伤。



床系统五年质保 如果您购买了芙莱莎经典系列床系统, 您就购买了一套在需要时可以变换及延展的灵活系统。我们为芙莱莎经典系列床系统提供五年质保。如果产品已经退市, 五年质保自宣布退市起始日开始计算。我们将及时通知经销商。



高品质的木材 芙莱莎始终如一地坚持最高品质, 例如, 我们只选用北欧斯堪地纳维亚森林中最优质的松木制作儿童家具。



掉 漆 芙莱莎儿童家具的表面都用水溶性UV漆涂刷好几遍, 以确保家具的最佳呈现, 同时, 可以让家具更加耐磨耐损。芙莱莎所使用的水溶性UV漆达到EU标准。



自然色差异 芙莱莎家具由纯松木制成, 由于实木具有活性, 因此会存在天然的色差, 所有芙莱莎纺织品也由100%天然材料制成, 因此也会存在色差。

芙莱莎儿童家具产自丹麦, 依照斯堪的纳维亚风格所设计。芙莱莎实木家具均由欧洲生产, 然后发往全球销售。

芙莱莎® 和FLEXA® 是Flexa4Dreams Holding A/S (芙莱莎)集团的注册商标。

适用于7岁以上年龄
只允许成人安装, 儿童勿近

生产商: FLEXA4Dreams Holding A/S, Denmark
地 址: Hornsyld Industrivej 4, 8783 Hornsyld, Denmark
电 话: +45 7668 8055 传真: +45 7668 8069
邮 箱: flexa@flexa.dk
网 址: www.flexaworld.dk